

PA-11 Data Sheet



Contents

Specifications (D30)	2
Specifications (D33,D42,D50)	3
Dimensions	4
Load vs Speed/Current (D30)	5
Load vs Speed (D33,D42,D50)	6
Connectors	7
Mounting Brackets	8
Internal Components	9
Internal Descriptions	10

Specifications (D30)



Load (LBS)		No Load Current (A)				Full Load Current (A)				Speed (inch/sec)	
Dynamic	Static	12VDC	24VDC	36VDC	48VDC	12VDC	24VDC	36VDC	48VDC	No Load	Full Load
33	33	0.1	0.1	0.03	0.03	0.2	0.1	0.1	0.1	0.44	0.22

Stroke	1" to 24"
Limit Switch	Internal - Non-Adjustable
Limit Switch Feedback	N/A
Screw Type	ACME Screw
Motor Type	Brushed DC Motor
Connector Type	See Page 5
Wire Length	40" (customizable)
Housing Material	6062 Aluminum Alloy
Rod Material	Aluminum Alloy
Gear Material	Powder Metallurgy Steel Alloy
Color (Shaft)	Silver
Color (Motor End)	Silver
Noise	<52dB
Duty Cycle	20% (4 minutes on, 16 minutes off)
Operational Temperature	-25°C to 65°C (-13°F to 149°F)
Protection Class	IP54 (IP66 customizable)
Feedback Options	N/A
Certifications	CE/RoHS (UL customizable)
Mounting Brackets	See Page 10
Mounting Ends	Customizable



Specifications (D33, D42, D50)

	Load (LBS)		No Load Current (A)		Full Load Current (A)		Speed (inch/sec)	
	Dynamic	Static	12VDC	24VDC	12VDC	24VDC	No Load	Full Load
	PA-11-D33	65	65	0.2	0.1	0.5	0.4	0.35
	110	110	0.2	0.1	1.2	0.5	0.31	0.13

	Load (LBS)		No Load Current (A)		Full Load Current (A)		Speed (inch/sec)	
	Dynamic	Static	12VDC	24VDC	12VDC	24VDC	No Load	Full Load
	PA-11-D42	150	150	0.3	0.2	3.6	1.8	0.35
	330	330	0.3	0.2	3.4	1.7	0.31	0.13
	450	450	N/A	0.2	N/A	1.5	X	X

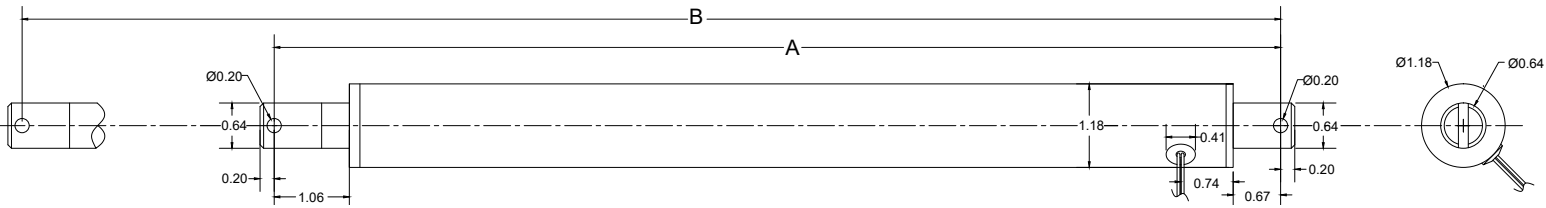
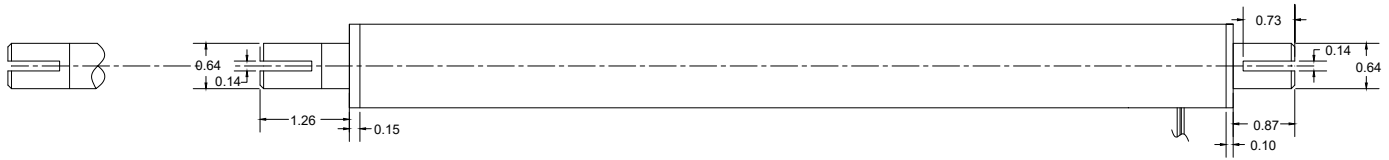
	Load (LBS)		No Load Current (A)		Full Load Current (A)		Speed (inch/sec)	
	Dynamic	Static	12VDC	24VDC	12VDC	24VDC	No Load	Full Load
	PA-11-D50	650	650	0.5	0.3	7.6	3.8	0.20
	900	900	0.5	0.3	8.0	4.0	0.12	0.07
	1100	1100	0.5	0.3	8.4	4.2	0.11	0.05

	<u>D-33</u>	<u>D-42</u>	<u>D-50</u>
Stroke	1" to 24"	2" to 32"	2" to 40"
Tube Diameter	1.3"	1.65"	2.00"
Minimum Installation Dimensions	9.25" + Stroke	10.78" + Stroke	12.79" + Stroke
Limit Switch	Internal - Non-Adjustable	"	"
Limit Switch Feedback	N/A	"	"
Screw Type	ACME Screw	"	"
Motor Type	Brushed DC Motor	"	"
Connector Type	See Page 5	"	"
Wire Length	40" (customizable)	"	"
Housing Material	6062 Aluminum Alloy	"	"
Rod Material	Aluminum Alloy	"	"
Gear Material	Powder Metallurgy/ Steel Alloy	"	"
Color (Shaft)	Silver	"	"
Color (Motor End)	Silver	"	"
Noise	<52dB	"	"
Duty Cycle	20% (4 minutes on, 16 minutes off)	"	"
Operational Temperature	-25°C to 65°C (-13°F to 149°F)	"	"
Protection Class	IP66	"	"
Feedback Options	N/A	"	"
Certifications	CE/RoHS	"	"
Mounting Brackets	See Page 10	"	"
Mounting Ends	Customizable	"	"



Dimensions

(Dimensions in inches)



Hole to Hole

PA-11	Stroke	1	2	3	4	6	8	9	10	12	14	16	18	20	22	24	30	40
	A	9.19	10.19	11.19	12.19	14.19	16.19	17.19	18.19	20.19	22.19	24.19	26.19	28.19	30.19	32.19	38.19	48.19
	B	10.19	12.19	14.19	16.19	20.19	24.19	26.19	28.19	32.19	40.19	44.19	48.19	52.19	52.19	56.19	68.19	88.19

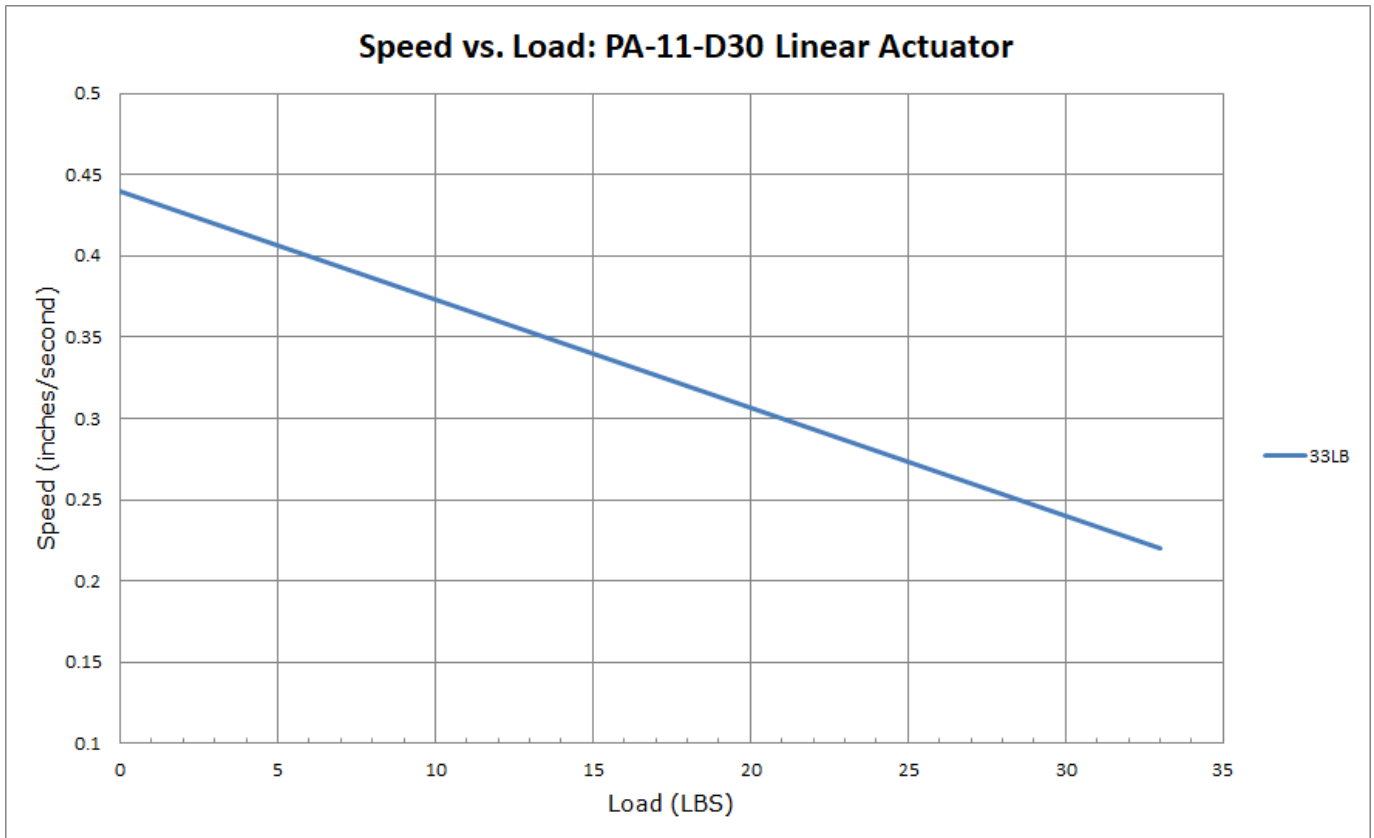
For Stroke Length

$$A = \text{Stroke Length} + 8.19''$$

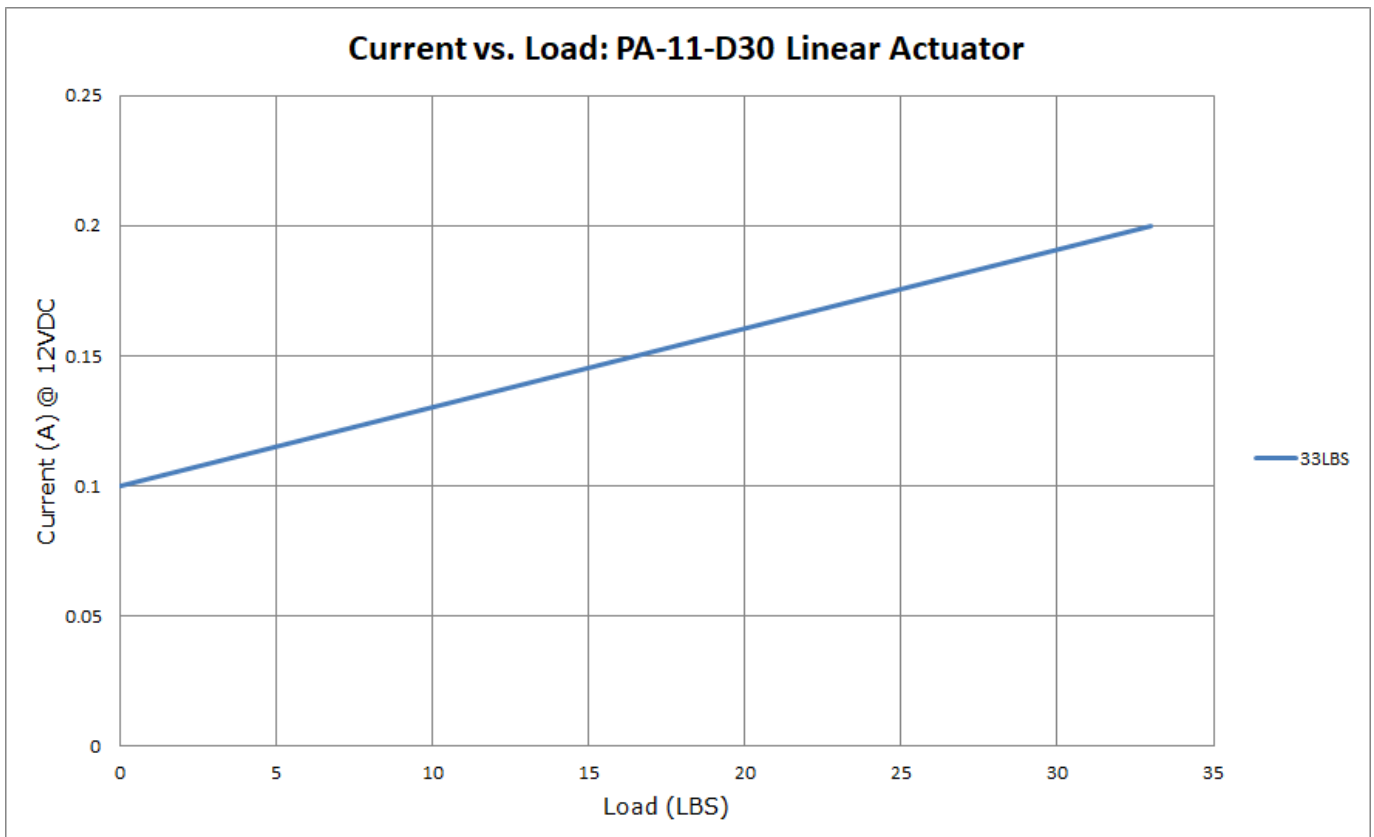
$$B = \text{Stroke Length} \times 2 + 8.19''$$



Load vs Speed (D30)

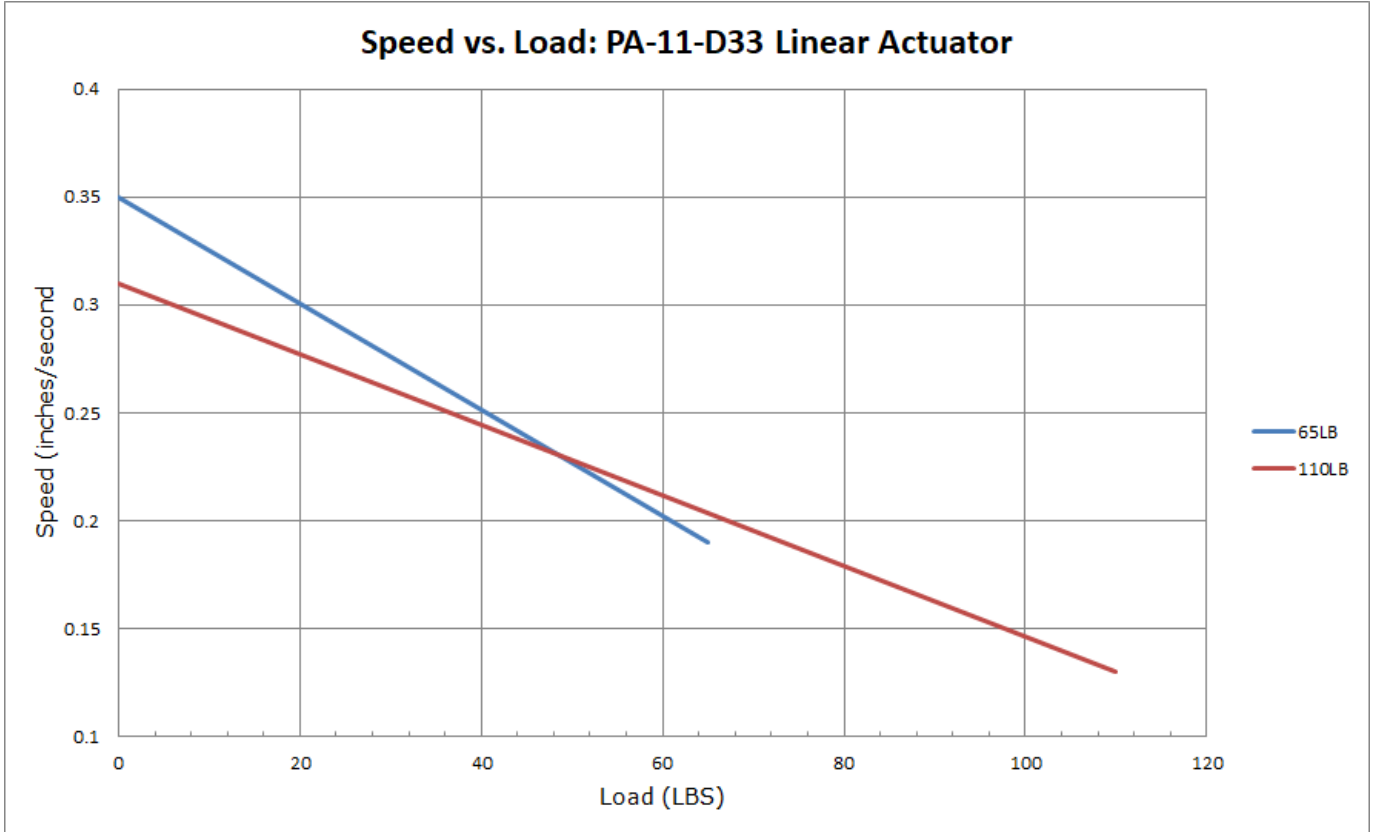


Load vs Current (D30)

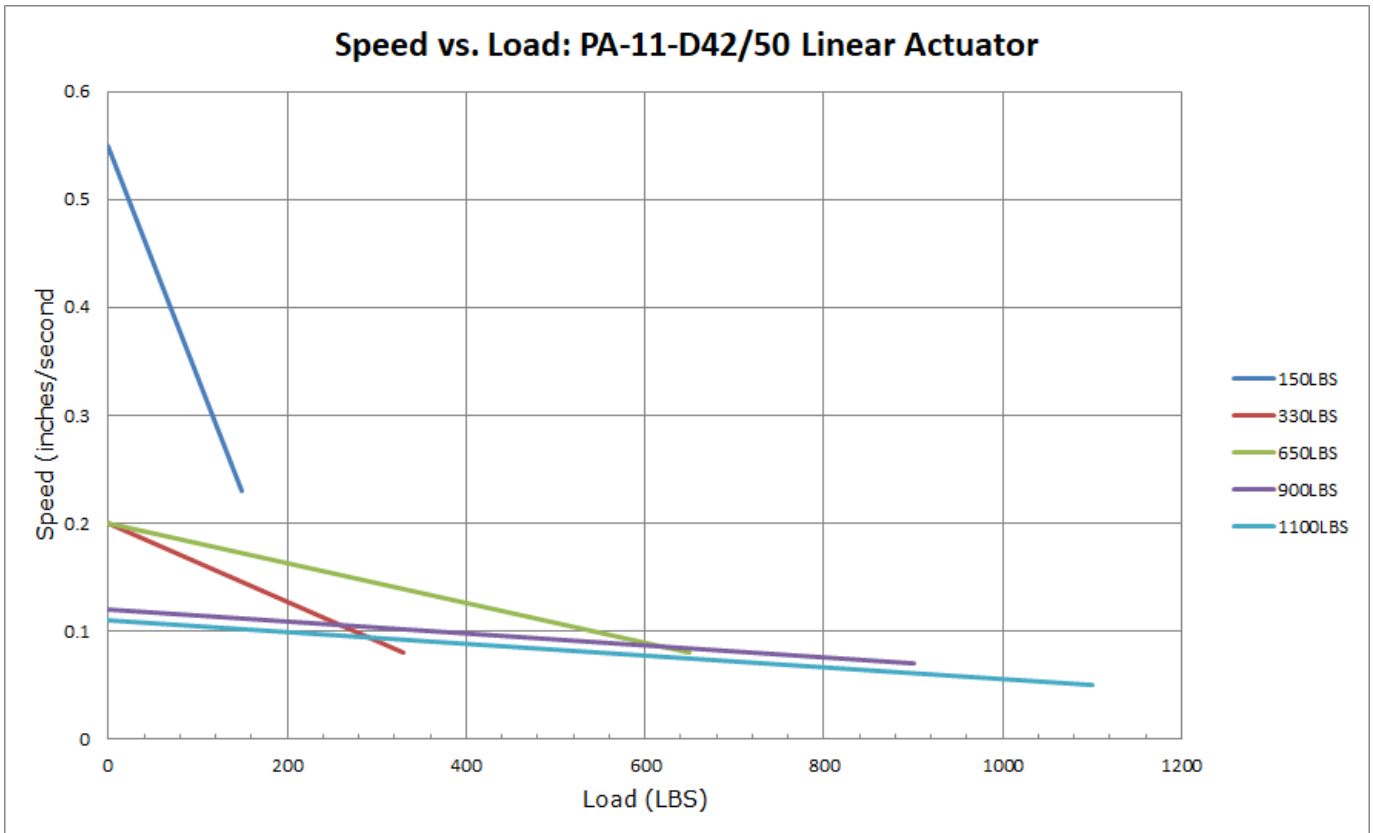




Load vs Speed (D33)

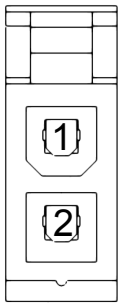


Load vs Speed (D42,D50)





2-Pin Connector (Standard)

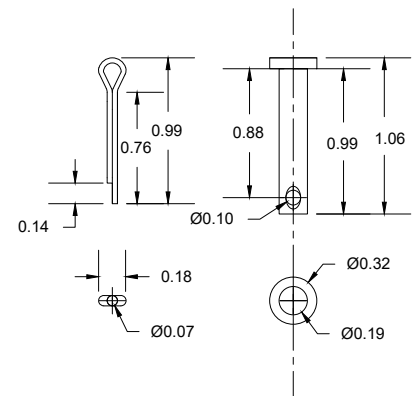
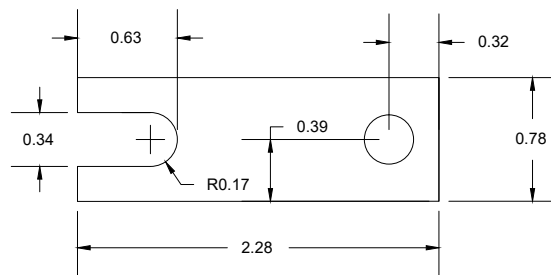
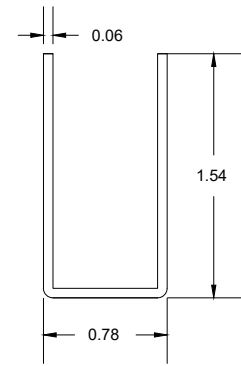
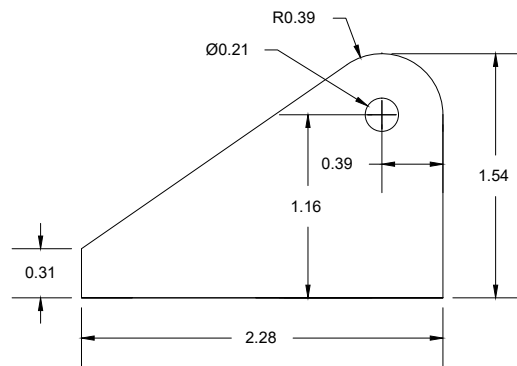


Motor	
1	2
M-	M+

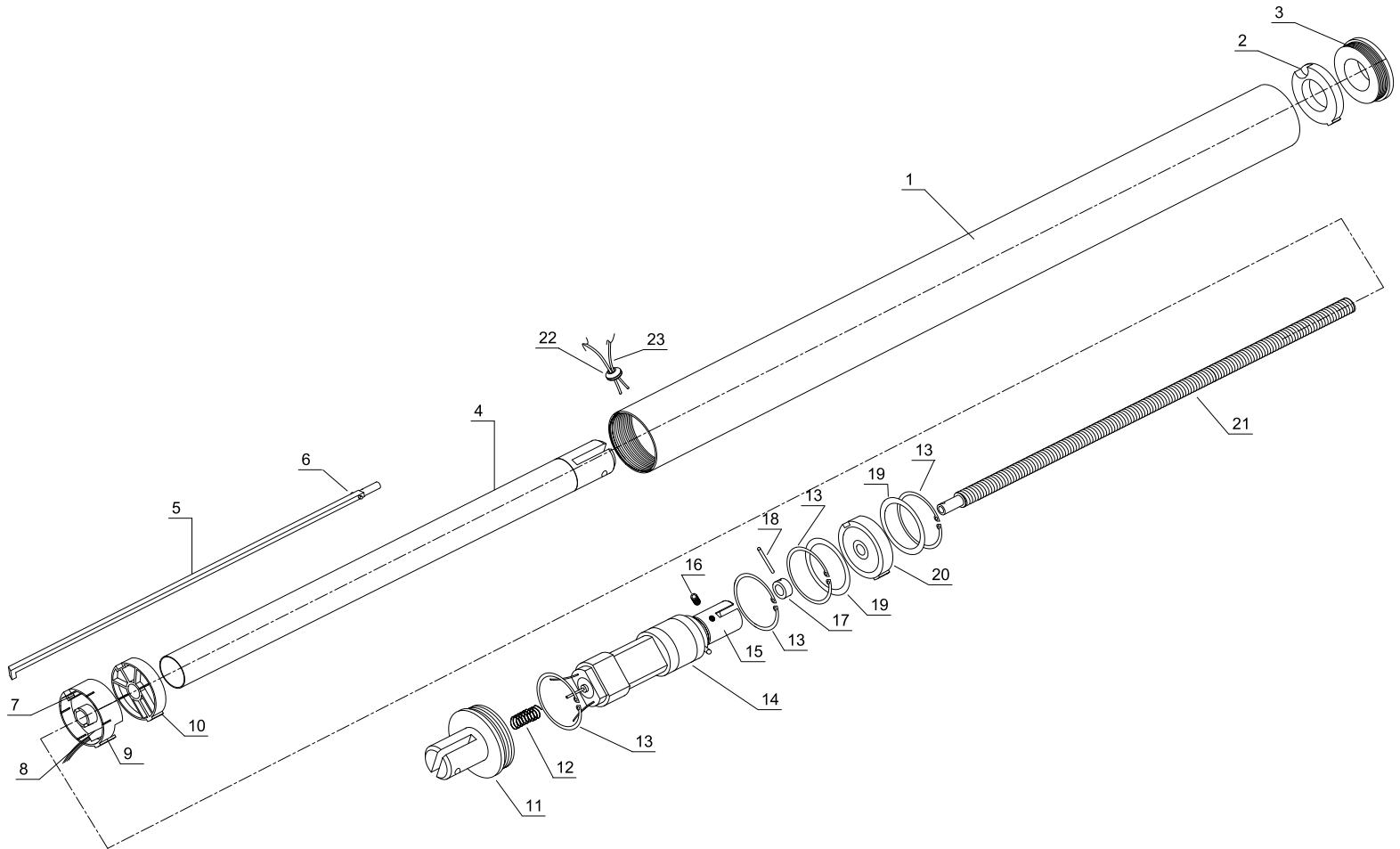
Component	Part Name	Part Number	Mating Part Number
Housing	Molex Mini Fit Jr 2-Pin Receptacle	39-01-2025	39-01-2029 /39-01-2026



BRK-11



Internal Components



Internal Descriptions



Item	Description	Qty
1	Actuator Case	1
2	Top Shaft Guide	1
3	Case Top Cap	1
4	Shaft With Mounting Hole	1
5	Limit Switch Bar	1
6	Limit Switch Bar Pin	1
7	Limit Switch	2
8	Diode	2
9	Limit Switch Base	1
10	Shaft Base Guide	1
11	Case Bottom Cap With Mounting Hole	1
12	Motor Spring	1

Item	Description	Qty
13	Snap Ring	4
14	Geared Electric Motor	1
15	Drive Head	1
16	Drive Head Screw	1
17	Shaft Drive Connecting Spacer	1
18	Shaft Drive Pin	1
19	Washer	2
20	Lower Bearing	1
21	Treaded Shaft Drive	1
22	Power Cable Grommet	1
23	Power Cable	1