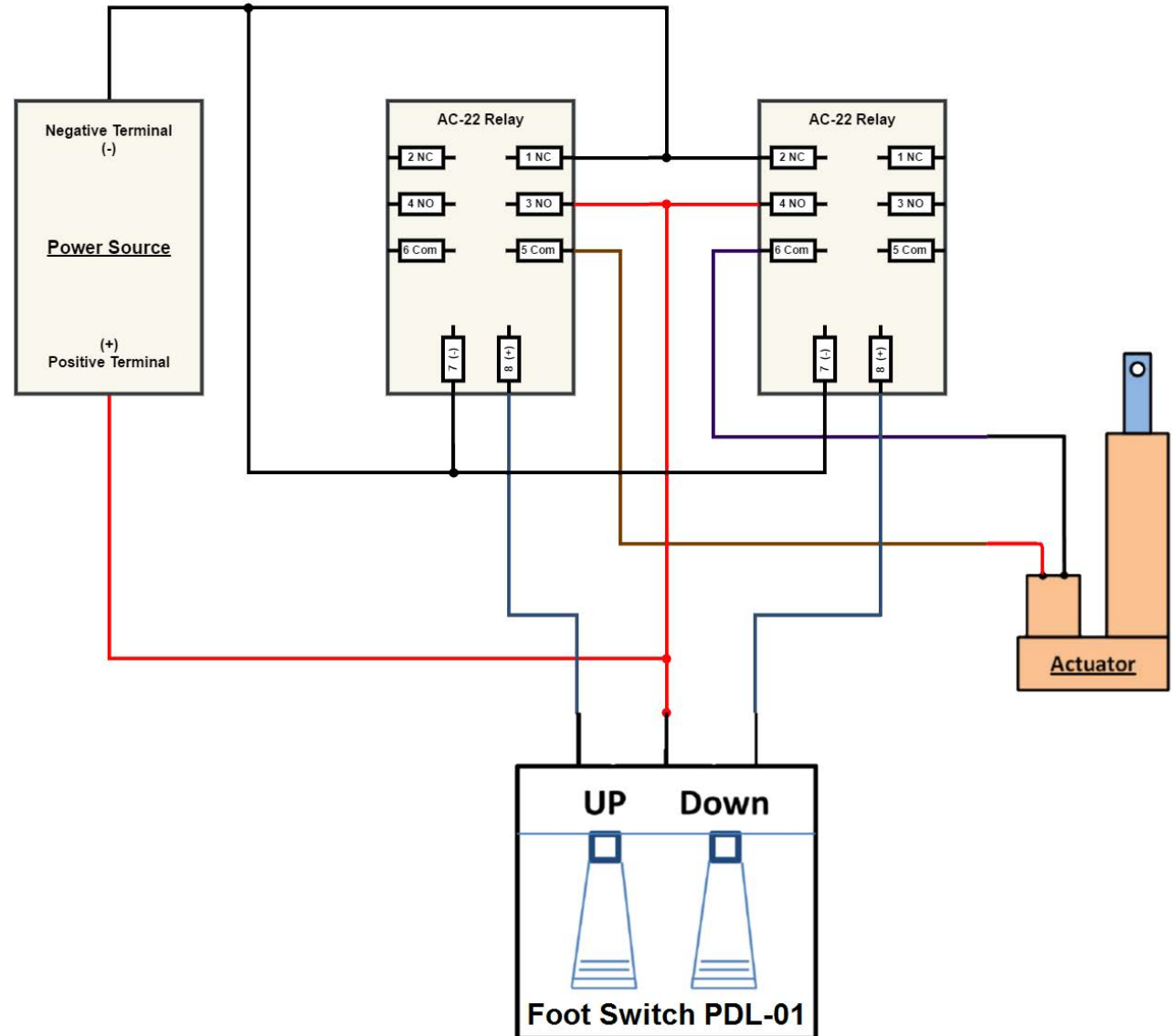




Specifications

To wire the actuator to the foot switch for double action (extension/retraction) make the connections between the foot switch, power source (battery), relay and actuator wires as follows:

Foot Switch	Connection To
Up Wire	Relay Terminal 4 NC
Down Wire	Relay Terminal 14 T2
Common Wire	Battery Negative Terminal -
Relay	Connection To
1NC	Battery Positive Terminal +
5NO	Battery Negative Terminal -
9P	Actuator Terminal 2 (Black)
4NC	Foot Switch Up Wire
8NO	Battery Positive Terminal +
12P	Actuator Terminal 1 (Red)
13 T1	Battery Positive Terminal +
14 T2	Foot Switch Down Wire



(Works for Hand Remotes as well)